

OPERATOR'S MANUAL ***with Warranty Statement***



For TruFlow™ Topdresser
24D Series - Push-Type Unit

 ***Earth & Turf Products, LLC***
America's Compact Topdresser Company

TruFlow™ 24D Push-Type Unit

LIMITED WARRANTY

Earth & Turf Products, LLC warrants to the original Purchaser, all Earth & Turf products, manufactured by it, to be free from defects in both material and workmanship under normal use and service.

Earth & Turf Products, LLC obligation under this Warranty shall be limited to replacement or repair of any parts thereof, free of charge to the original Purchaser, at its place of business, provided, however, that the part(s) to be replaced or repaired, shall **within 1 year** after delivery to the original Purchaser, be demonstrated to be defective: which determination shall be made by Company.

The said components or parts must be returned through the Selling dealer or distributor directly to the Company with all transportation charges prepaid.

Notice of defects shall be furnished in writing to the Seller and to the agent through whom the machinery was received, disclosing in full all known defects and failure in operation and use, and reasonable time shall be given to the Seller to remedy any such defects and failures.

Failure to make such trial or to give such notice shall be deemed an *absolute acceptance* by the Buyer and *satisfaction in full* of this Limited Warranty.

Under no circumstances does this warranty cover normal wear of any parts, components or material which, in the opinion of the Seller and the Company, have been subjected to neglect, misuse, alteration, accident, or if repaired, with parts other than those manufactured by and obtained from **Earth & Turf Products, LLC**.

This Warranty does not cover components which are already covered by a separate Warranty provided by the supplier of said parts or components.

Earth & Turf Products, LLC's obligation under this Warranty is limited to repair or replacement, free of charge to the original Purchaser, of any part which in the judgement of the Company is defective.

THIS WARRANTY IS MADE EXPRESSLY IN LIEU OF ALL OTHER WARRANTIES, EXPRESSED OR IMPLIED, INCLUDING ANY WARRANTY OF MERCHANTABILITY AND FITNESS FOR USE AND PURPOSE AND OF ALL OTHER OBLIGATIONS OR LIABILITIES ON ITS PART AND ANY IMPLIED PERSON TO ASSUME FOR IT, ANY OTHER LIABILITY IN CONNECTION WITH A SALE OF THESE PRODUCTS.

THIS WARRANTY SHALL NOT APPLY TO THESE PRODUCTS OR TO ANY PART THEREOF WHICH HAS BEEN SUBJECT TO ACCIDENT, NEGLIGENCE, ALTERATION, ABUSE OR MISUSE.

- The Company makes no warranty whatsoever in respect to accessories or parts not supplied by the Company.

The term "original Purchaser", as used in this Warranty, shall be deemed to mean that person for whom the product is originally supplied.

- The Company, under this Warranty, cannot guarantee that existing conditions beyond its control will not affect its ability to obtain materials or manufacture necessary replacement parts.

- The Company reserves the right to make design changes, or specifications at anytime, without any contingent obligation on its parts to purchasers of machines and parts previously sold.

No one is authorized to alter, modify or change the terms of this Warranty in any manner.

- The Company warrants the Construction of the equipment sold herein and will replace it at its expense for a period of 1 year from the date hereof, any parts which prove defective as determined under the terms of this Limited Warranty.

- This Warranty shall apply only within the boundaries of the continental United States.

TruFlow™ 24D

INSTRUCTIONS

IMPORTANT SAFETY PRECAUTIONS

CAUTION!!!

■ **Operator must read before using unit.**

- 1 **KEEP HANDS AWAY** from any moving parts of the spreader during operations.
- 2 **NEVER** run spreader unless all guards are securely tightened in proper position.
- 3 **NEVER** repair any parts or make any adjustments while machine is in motion.
- 4 **NEVER** wear loose clothing around any moving parts of the machine.
- 5 **NEVER** allow anyone to ride spreader.
- 6 **NEVER** operate on slopes.

● *Failure to heed the above warnings may result in personal injury or death.*

OPERATION

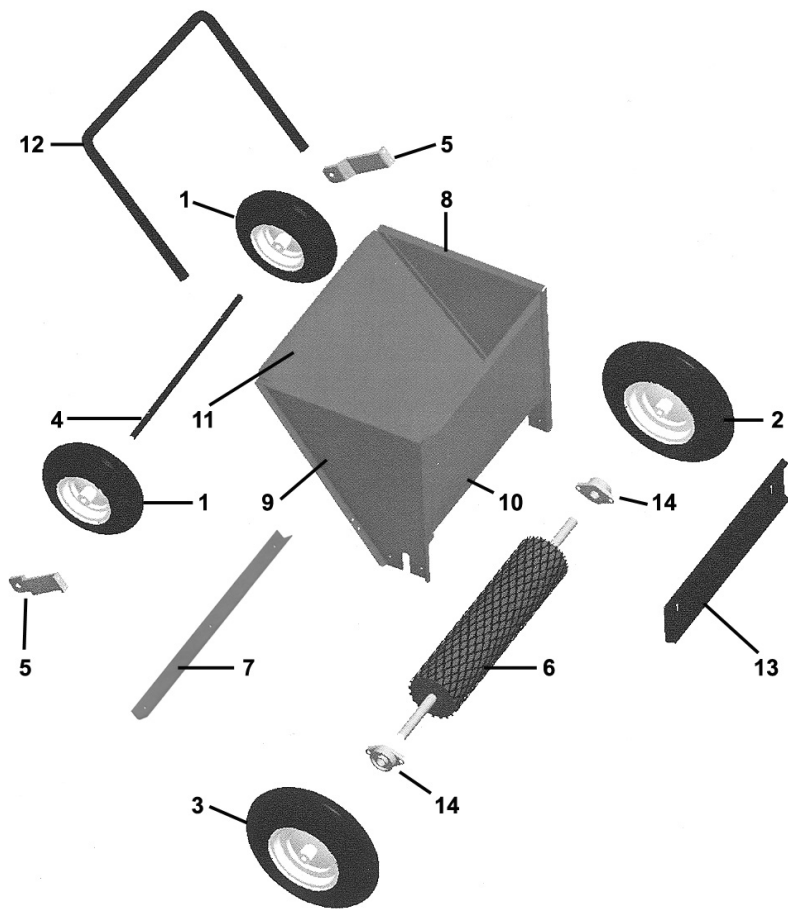
- 1 **Adjust the Front Flow Control Panel** using the two wing nuts, to achieve the desired speed of material flow from the topdresser.
- 2 **Be Sure** that the topdresser is sitting on level ground before filling the hopper.
- 3 **Load the Hopper**, making sure that the material to be spread is both dry and flowable. This is necessary for proper spreading.
- 4 **Tip the Unit Back** on its rear tires and move it to the area where you wish to spread material.
- 5 **To Begin Spreading**, simply tip the unit forward, so that it sits on all four wheels and push it forward. As soon as the front wheels engage the ground, the unit will begin spreading – no engagement lever is necessary.
- 6 **To End Spreading and Stop Material Flow**, simply tilt the unit back on its two rear wheels.

MAINTENANCE

- 1 **Wheel bearings** will require daily lubrication. A grease zerk is located on each wheel hub.
Maintenance Interval - with each use.
- 2 **Periodically Lubricate** the thread on the front panel to insure easy hand adjustment when using the wing nuts.
- 3 **Store the 24D Topdresser Inside** for extended service life.

Important Operating Information

- Clean spreader completely after each use.
- All topdressing material being run through the spreader unit must be at or below the required 20% moisture level in order to flow freely and avoid bridging the feed opening.
- To increase the service life of spreader unit, material should never be stored in spreader.



ITEM	PART #	DESCRIPTION	QTY.
1	240001	TRANSPORT WHEEL	2
2	240002	DRIVE WHEEL (LH)	1
3	240003	FRONT WHEEL (RH)	1
4	240004	REAR AXLE	1
5	240005	WHEEL BRACE	2
6	240006 240006A	ROLLER DRUM * ROLLER DRUM **	1 1
7	240007	REAR PANEL SUPPORT	1
8	240008 240008A	SIDE PANEL (LH) * SIDE PANEL (LH) **	1 1
9	240009 240009A	SIDE PANEL (RH) * SIDE PANEL (RH) **	1 1
10	240010	FRONT PANEL	1
11	240011	BACK PANEL	1
12	240012	HANDLE	1
13	240013	FRONT GATE	1
14	10078 10090	BEARING ASSEMBLY* FLUSH-MOUNT BEARING **	2 2
	240014	PUSH NUT	2

* for Units with Serial Number 207 and prior.
 ** for Units with Serial Number 208 and above.



112 South Railroad Avenue
 New Holland, PA 17557 U.S.A.
 Tel 717 • 355 • 2276
 Fax 717 • 355 • 2879

TOLL FREE
Service Hot Line
1 • 888 • My • E • and • T
(1 • 888 • 693 • 2638)

Earth & Turf is a company dedicated to developing new, innovative equipment that delivers greater productivity. We achieve this by solving everyday, real-world problems.

Earth & Turf is continually striving to improve its designs, products and services.

We reserve the right to make improvements or changes when it becomes practical and possible to do so, without incurring any obligation to make changes or additions to previously sold equipment.